

HDPE GATE VALVES



STRONGBRIDGE



Engineered for Durability
Built to Last ▶▶▶▶▶▶▶▶
COMING SOON



SDR 11 HDPE Gate Valves

- High-density polyethylene PE100/4710
- Your best choice for a leak-free system
- High chemical resistance
- Impact resistance at low temperatures
- Resistant to corrosion and abrasion
- Light weight
- Easy installation
- Butt fusion, electrofusion and mechanical connection ready

Longer, durable performance...

HDPE lasts **3x longer** than traditional metal valves and is free from corrosion and leaks, so there's zero replacement or maintenance required.

Faster, easier installation...

Typical installation time of **30 minutes** with no extra parts needed when compared to 4-hours on traditional metal valve installation.

Cost-effective & eco-friendly...

Saves on project costs and resources, and reduces operating costs, energy consumption, and environmental impact.



Industrial



Agricultural



Environmental

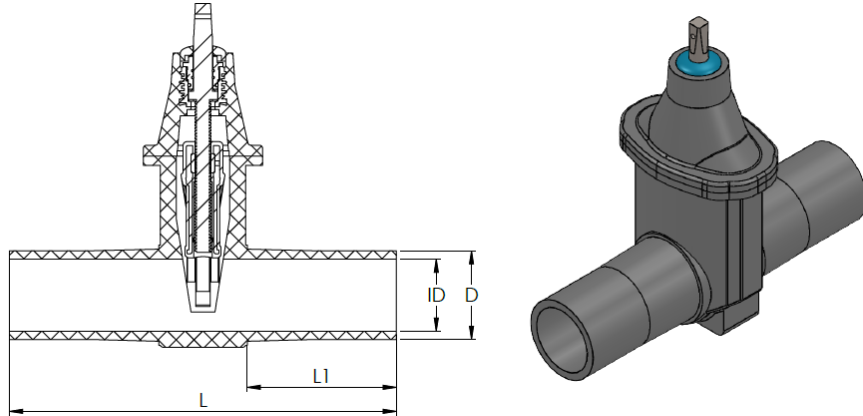


Gas



Water

STRONGBRIDGE



Nominal Size	Actual Size (D)	Norm	ID	L	L1	(H)	Weight (lbs.)	Part Number
1"	1.32	IPS	1.00	10.00	3.27	TBA*	TBA*	02-GTV-2212004
1 1/4"	1.66	IPS	1.26	10.88	3.47	TBA*	TBA*	02-GTV-2212005
1 1/2"	1.90	IPS	1.56	12.21	4.13	TBA*	TBA*	02-GTV-2212006
2"	2.38	IPS	1.97	13.58	4.45	TBA*	TBA*	02-GTV-2212007
3"	3.50	IPS	2.87	17.13	6.50	TBA*	TBA*	02-GTV-2212008
4"	4.50	IPS	3.54	18.90	7.36	TBA*	TBA*	02-GTV-2212009
6"	6.63	IPS	5.10	24.80	8.46	TBA*	TBA*	02-GTV-2212010
8"	8.63	IPS	6.97	33.07	8.66	TBA*	TBA*	02-GTV-2212011

All dimensions are approximated and listed in inches | * Coming soon.

To learn more about how Strongbridge can help, contact us by phone, email or visit our website to check out our products and services.



Strongbridge International LLC

Jacksonville, FL

T: (904) 278-7499

E: contact@strongbridge.us

www.strongbridge.us

Strongbridge International LLC is not responsible for error or omissions in the content of this document. The information in this document is for reference purposes only and is not to be relied upon or substitute engineering documentation. All information is provided "as is", with no guarantee of completeness or accuracy and is subject to change without notice.