

HDPE MOLDED LATERAL WYES



STRONGBRIDGE

Engineered for Durability Built to Last ▶▶▶▶▶▶▶▶

Offering the largest pressure class and size range available.

SDR 11 LATERAL WYES

Water - 200 PSI at 73° F
Sustainable Maximum Operating Pressure

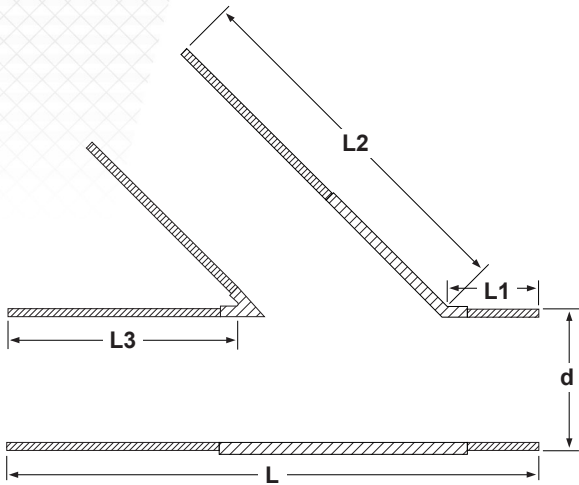
- Suitable for Water, Fluids & Slurries
- Engineered for PE100, PE80, PE4710, PE3408 HDPE Pipe Systems

SDR 11 **IPS**

 **Rated for Water**



- **High-density polyethylene PE4710/100**
- **Your best choice for a leak-free system**
- **High chemical resistance**
- **Impact resistance at low temperatures**
- **Resistant to corrosion and abrasion**
- **Light weight**
- **Easy installation**
- **Butt fusion, electrofusion and mechanical connection ready**



HDPE Molded Wyes: 2" to 12" IPS SDR11 200 PSI

Size (IPS)	Actual Size (d)	L1	L2	L3	(L)	Weight (lbs.)
2"	2.38	6.14	12.87	11.97	22.40	2.20
3"	3.50	6.69	14.33	10.79	22.99	4.60
4"	4.50	6.18	17.13	13.15	26.50	8.60
6"	6.63	6.89	25.39	18.66	35.71	25.80
8"	8.63	7.64	27.64	18.15	38.78	47.00
10"	10.75	8.35	30.43	19.02	43.31	80.90
12"	12.75	8.35	32.84	18.90	47.24	119.90

All dimensions are approximated and listed in inches



Strongbridge molded fittings meet international and domestic standards certified to NSF/ANSI 61 for potable water and are suitable for water reclamation / irrigation, landfill and industrial use. Quality certificates are available upon request. Manufactured in accordance with: ASTM D3350-21, ASTM D3261-16, ASTM D2513-20, AWWA C906-15, NSF/ANSI/CAN 61-2022, and ISO-9001 Certified.



Industrial



Agricultural



Environmental



Potable Water



Waste Water

To learn more about how Strongbridge can help, contact us by phone, email or visit our website to check out our products and services.

STRONGBRIDGE



Strongbridge International LLC
Jacksonville, FL
T: (904) 278-7499
F: (904) 278-7501
E: contact@strongbridge.us

www.strongbridge.us

Strongbridge International LLC is not responsible for error or omissions in the content of this document. The information in this document is for reference purposes only and is not to be relied upon or substitute engineering documentation. All information is provided "as is", with no guarantee of completeness or accuracy and is subject to change without notice.

© 2023 Strongbridge International LLC SSMW4123