

# HDPE BALL VALVES

# STRONGBRIDGE



## Engineered for Durability Built to Last ▶▶▶▶▶▶▶▶

Offering an extensive range of industrial grade, heavy-duty HDPE full-port ball valves.

SBI Ball Valves are engineered for extreme durability and are manufactured using the highest quality virgin resin high-density polyethylene from our certified ISO-9001 manufacturing facility.

SBI offers the largest size range of industrial grade, heavy-duty HDPE full-port ball valves in sizes ½” to 8” with quarter turn operating nut.



Sizes ½” to 6”

Water 200 psi max operating pressure  
Gas 125 psi max operating pressure



Sizes 3” to 6”

Water 250 psi max operating pressure  
Gas 125 psi max operating pressure

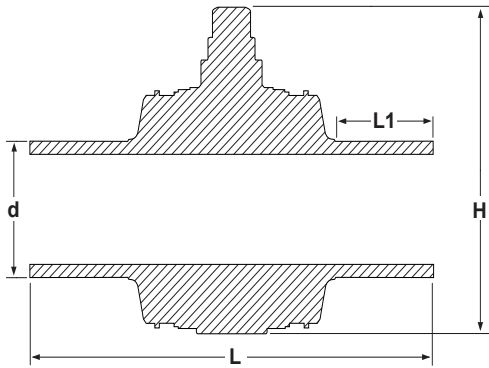
- **Full-port in all sizes**
- **High-density polyethylene PE4710/100**
- **Your best choice for a leak-free system**
- **High chemical resistance**
- **Impact resistance at low temperatures**
- **Resistant to corrosion and abrasion**
- **Light weight**
- **Easy installation**
- **Butt fusion, electrofusion and mechanical connection ready**



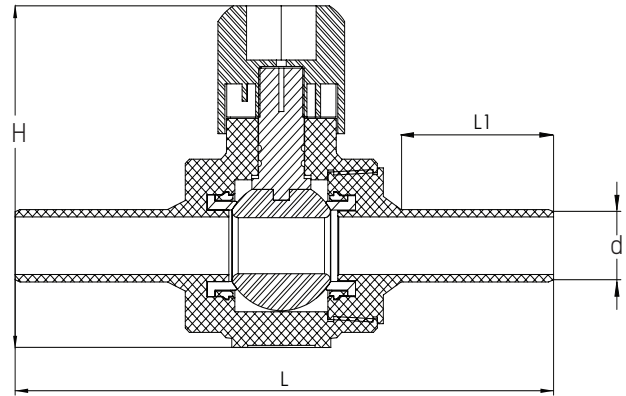
Manufactured in accordance with: ASTM F714-22, ASTM F1055-22, ASTM D2513-20, ASTM D3035-20, ASTM D3261-16, ASTM D3350-21, AWWA C901-20, AWWA C906-15, NSF/ANSI/CAN 61-2022, NSF/ANSI/CAN 372, and ISO-9001 Certified.



# STRONGBRIDGE



TYPE A



TYPE B

SDR	Nominal Size	Actual Size (d)	Norm	Type	L	L1	(H)	Weight (lbs.)	Part Number
SDR 9	3"	3.50	IPS	A	22.44	5.91	11.47	12.40	04-BBV-2902042
SDR 9	4"	4.50	IPS	A	23.39	6.69	12.74	17.20	04-BBV-2902049
SDR 9	6"	6.63	IPS	A	25.08	6.69	16.15	37.80	04-BBV-2902056
SDR 11	1/2"	0.84	IPS	A	10.08	2.80	5.33	0.99	04-BBV-2902002
SDR 11	3/4"	1.05	IPS	A	10.08	2.80	5.09	1.10	04-BBV-2902009
SDR 11	1"	1.32	IPS	A	10.71	3.03	5.09	1.21	04-BBV-2902016
SDR 11	1 1/4"	1.66	IPS	A	13.43	4.09	6.01	1.32	04-BBV-2902023
SDR 11	1 1/2"	1.90	IPS	A	13.43	4.09	6.01	1.43	04-BBV-2902030
SDR 11	2"	2.38	IPS	B	13.43	4.09	7.23	6.17	02-BBV-2902037
SDR 11	3"	3.50	IPS	A	20.08	4.53	11.47	12.11	04-BBV-2902043
SDR 11	4"	4.50	IPS	A	20.47	4.92	12.74	16.52	04-BBV-2902050
SDR 11	6"	6.63	IPS	A	24.41	6.30	16.15	34.14	04-BBV-2902057

All dimensions are approximated and listed in inches

To learn more about how Strongbridge can help, contact us by phone, email or visit our website to check out our products and services.



**Strongbridge International LLC**  
 Jacksonville, FL  
 T: (904) 278-7499  
 F: (904) 278-7501  
 E: [contact@strongbridge.us](mailto:contact@strongbridge.us)

[www.strongbridge.us](http://www.strongbridge.us)

Strongbridge International LLC is not responsible for error or omissions in the content of this document. The information in this document is for reference purposes only and is not to be relied upon or substitute engineering documentation. All information is provided "as is", with no guarantee of completeness or accuracy and is subject to change without notice.

© 2024 Strongbridge International LLC SSBV-0324